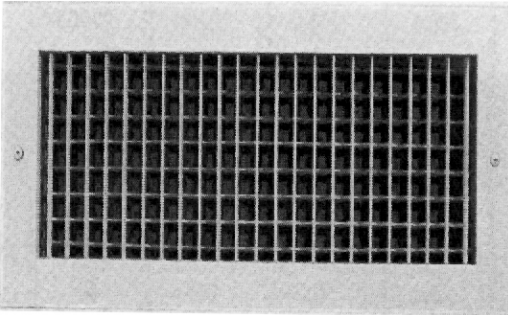
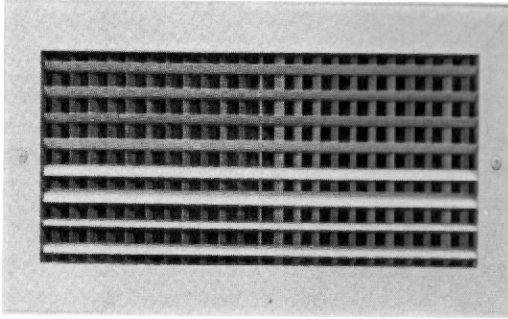


# A250 (H or V) ALUMINUM

## Double Deflection Diffuser



- ☑ All .055 T6 extruded aluminum surface mount diffuser.
- ☑ Nylon bushings for easy adjustment and quiet setting of airfoil blades.
- ☑ Foam gaskets
- ☑ Countersunk mounting holes for flush appearances with color matching Phillips posidrive screws.
- ☑ Finish Standard: A Soft White
- ☑ Finishes Optional: B Driftwood Tan  
C \*Colors (see page 1)  
F Satin Anodized

### A250H Series

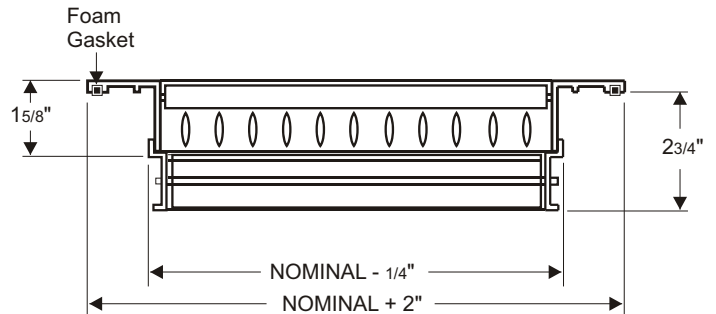
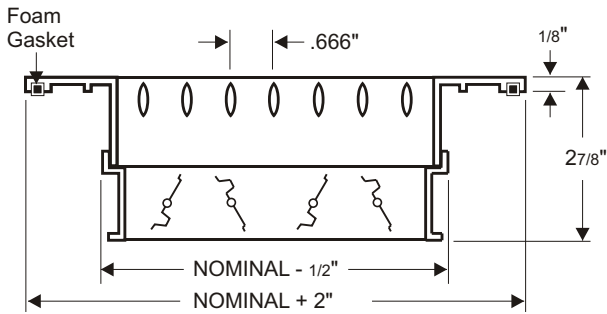
- ☑ Double deflection diffuser.
- ☑ Front blades parallel to shortest dimension.
- ☑ Back blades parallel to longest dimension.
- ☑ All blades adjustable allowing 4way flow adjustment.
- ☑ With recessed screwdriver operated Opposed Blade Damper (A250HO).

### A250V Series

- ☑ Double deflection diffuser.
- ☑ Front blades parallel to shortest dimension.
- ☑ Back blades parallel to longest dimension.
- ☑ All blades adjustable allowing 4way flow adjustment.
- ☑ With recessed screwdriver operated Opposed Blade Damper (A250VO).

### Optional:

- ☑ Fractional, I.D. and O.D. sizes available.



CUSTOMER ORDER NO. --		
JOB --		
ARCHITECT --		
CUSTOMER --		
QTY	ORDER SIZE (W x H)	TAG