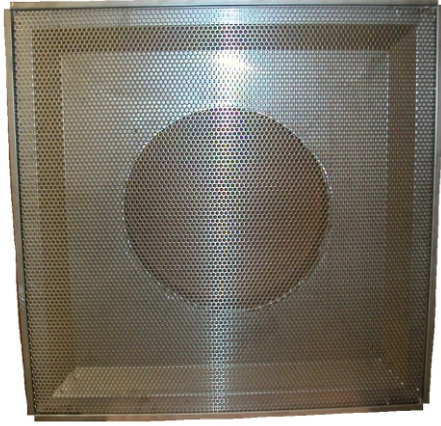


LAY-IN PERF RETURN

LAY-IN PERF RETURN GRILLE



The lay-in 51% Perforated Return Grille manufactured in type 304 Stainless Steel is designed to lay flush into a T-Bar ceiling opening.

Stainless Steel transitions are available in square, rectangular and round neck collars and can be supplied with optional dampers adjusted by unlatching and lowering the perforated face for access to the damper operator.

Factory Standards

- Type 304 stainless.
- #3 satin polished finish.
- Stock size 24" x 24"

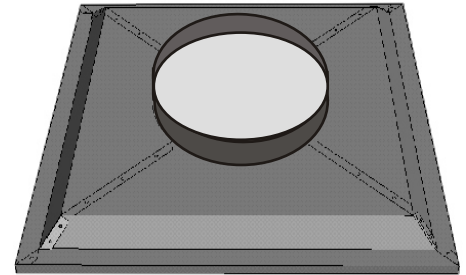
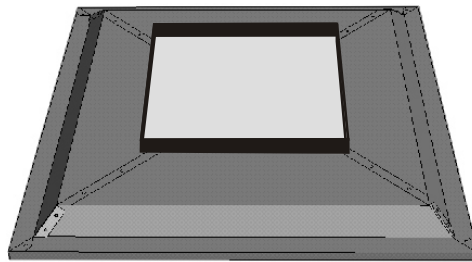
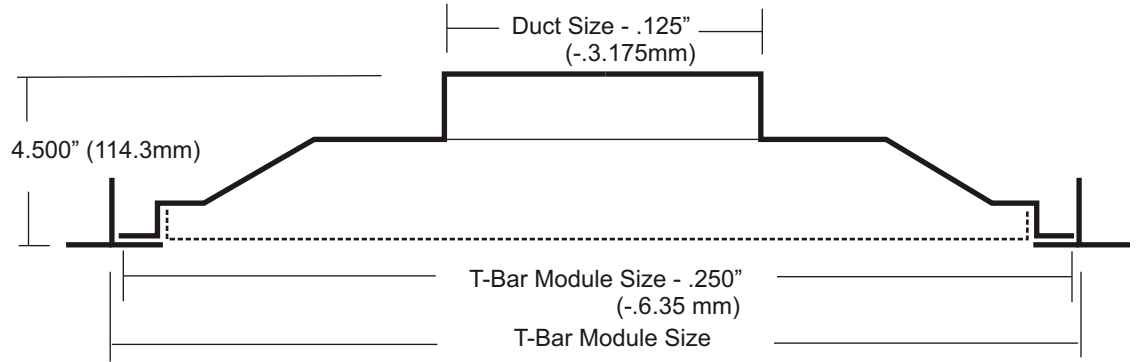
Factory Options (extra charge)

- Type 316 stainless, satin finish.
- Painted finish.

Minimum W x H	Maximum W x H
12" x 12"	48" x 24"

U.S. Units to Metric Conversion

INCHES x (25.4) = MILLIMETERS



CUSTOMER ORDER #					
JOB --					
ARCHITECT					
CUSTOMER --					
QTY	ORDER SIZE (W x H)	DAMPER (Y/N)	TAG	FINISH	304 or 316