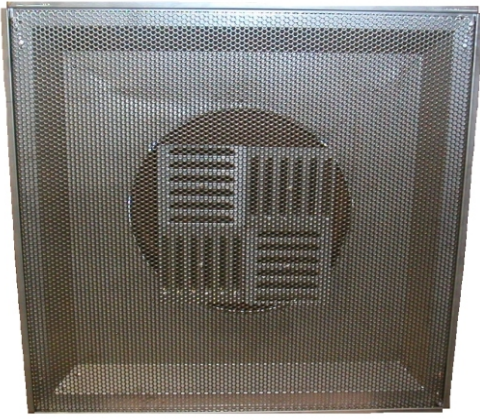


LAY-IN PERF SUPPLY

LAY-IN PERF SUPPLY DIFFUSER



Factory Standards

- 1, 2, 3, or 4 way deflection.
- Type 304 stainless.
- #3 satin polished finish.
- Stock size 24" x 24"

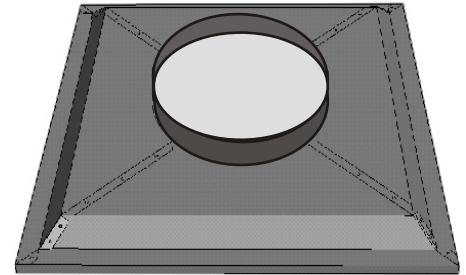
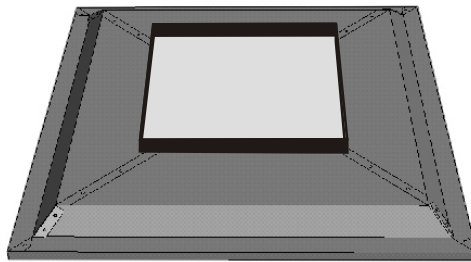
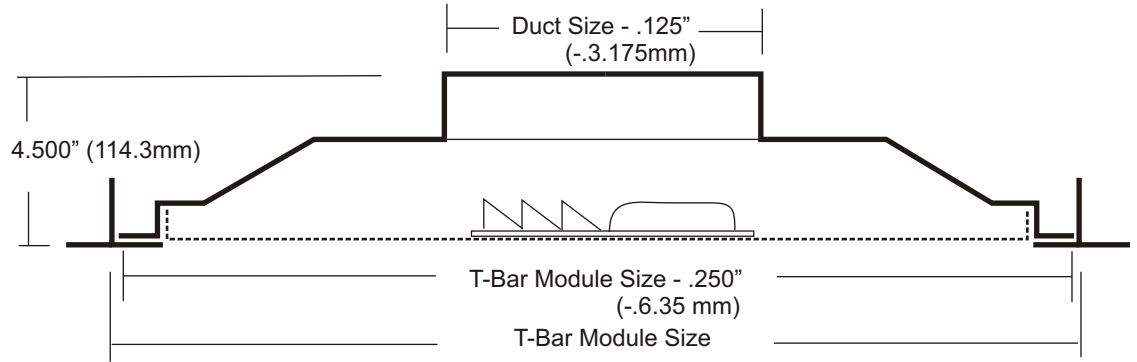
Factory Options (extra charge)

- Type 316 stainless, satin finish.
- Painted finish.

Minimum W x H	Maximum W x H
12" x 12"	48" x 24"

U.S. Units to Metric Conversion

INCHES x (25.4) = MILLIMETERS



CUSTOMER ORDER #					
JOB --					
ARCHITECT					
CUSTOMER --					
QTY	ORDER SIZE (W x H)	DAMPER (Y/N)	TAG	FINISH	304 or 316