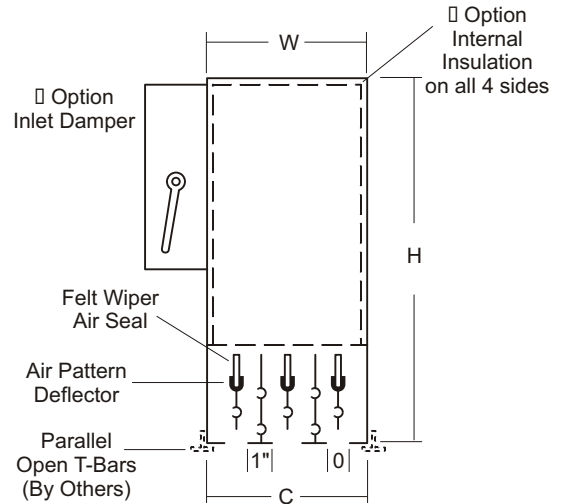
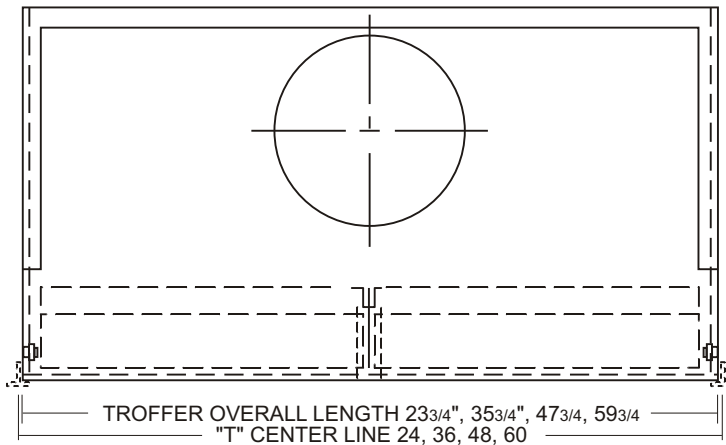


# LINEAR SLOT DIFFUSER

TYPE "K" - ADJUSTABLE BLADE



**FACTORY OPTIONS** (extra charge)

- Type 316 stainless, satin finish.
- Painted finish.
- 1 1/2" blade centers.

**NOTES:**

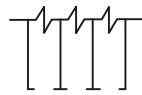
- Stainless steel construction

Minimum W x H	Maximum W x H
4" x 4"	60" x 48"

**U.S. Units to Metric Conversion**

INCHES x (25.4) = MILLIMETERS

**ACCESSORY OPTIONS**



Standard  
Two Center T's  
No Side T's  
No TC Clips



Option  
One side T  
furnished



Option  
Both side T's  
furnished



Option  
One pair of  
TC clips furnished

**3 slot diffuser (shown), 1-18 slot is available.**

CUSTOMER ORDER NO. --		
JOB --		
ARCHITECT --		
CUSTOMER --		
QTY	ORDER SIZE (W x H)	TAG